

Fine-welding System

 **Portable Selwelder**

Hoop material (coil material) welding equipment

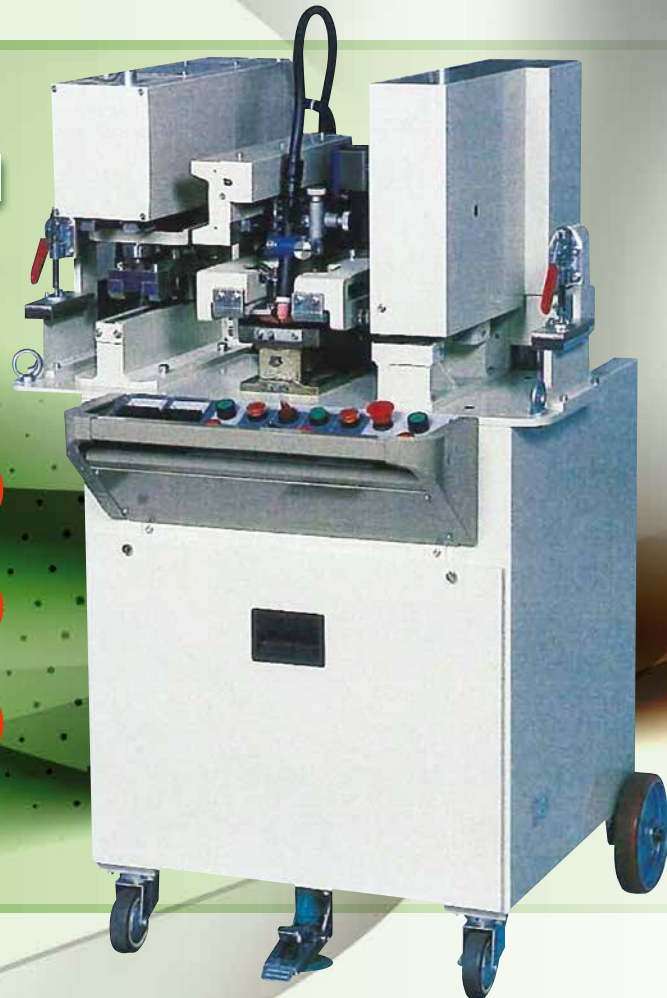
SFW-84
series

Easy hoop material
welding for
every operators

Simple operation

Light weight

Compact size



Features

- Lamina can be welded quickly and easily with high quality.
- Cutting, welding and rolling units are installed in its slim body.
- Operability improved with all-in-one type operation panel.
- Easily movable by its light and compact body.

Outer dimensions

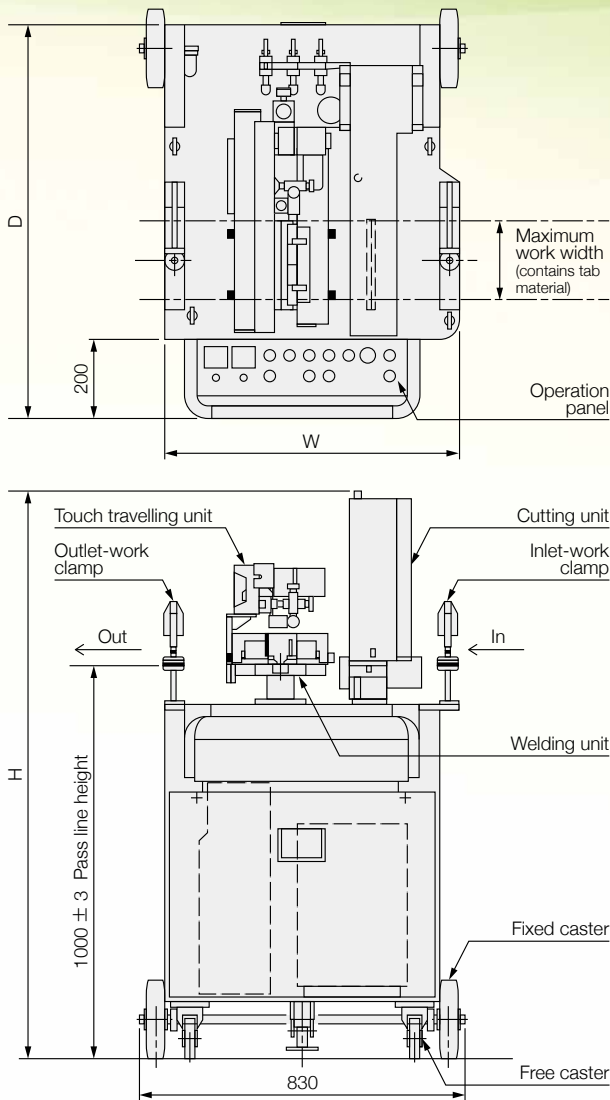


Figure above shows the flow of work is the left (L-type) from right and rolling mechanism is not installed

Dimensions

Type	SFW-84-1-S (L/R)	SFW-84-2-S (L/R)	SFW-84-1-S/P (L/R)	SFW-84-2-S/P (L/R)
H (mm)	1395	1440	1395	1440
D (mm)	850	1000	850	1000
W (mm)	750		890	
Weight (kg)	280	360	400	490

Specifications

Type	SFW-84-1-S (L/R)	SFW-84-2-S (L/R)	SFW-84-1-S/P (L/R)	SFW-84-2-S/P (L/R)
Welding work maximum width(mm)	100	200	100	200
Welding work thickness (mm)	0.1~1.2			
Welding work material	Stainless steel/Low carbon steel/ Aluminum copper/Copper alloy/others			
Rolling mechanism for bead	No		Yes	
Touch traveling speed(m/min)	0.5~3.0			
Power supply	Three-phase 200V 50/60Hz 15kVA			
Compressed air source	More than 0.39 MPa (4Kgf/cm ²)			
Shield gas	Argon/helium (determined with the welding object)			
Welding power supply	4~300A			

The standard attachment article

- Collet for the torch(2.4φ)
- Gas lens for the torch(2.4φ)
- Shield cup for the torch
- Electrode(2.4φ)
- Arc length gage(3sets)

Options

- Work light
- Fall melted prevention system
- Arc length measurement function with a dial gauge
- Weld length setting function
- Stand for gas cylinder(1.5m³)
- Electrode grinding machine

SINFONIA GROUP

SINFONIA ENGINEERING CO., LTD.

Head office — 99-96 Takegahana-cho, Ise city, Mie, 516-8553 Japan
Tel.+81-596-36-4479 — Fax.+81-596-36-6703

Tokyo Headquarter — Odakyu-Dai-ichi-Life Bldg. 12F, Nishi-Shinjuku, Shinjuku-ku, Tokyo, 163-0712 Japan
Tel.+81-3-6911-2074 — Fax.+81-3-6911-2069

Overseas contact address

Singapore — Tel.+65-6223-6122 — Fax.+65-6225-2729
Indonesia — Tel.+62-21-252-3606 — Fax.+62-21-252-3608
Thailand — Tel.+66-2160-5068 — Fax.+66-2160-5069

Taiwan — Tel.+886-3-577-7979 — Fax.+886-3-577-1299
China — Tel.+86-21-6275-0606 — Fax.+86-21-3209-8975