



# SINFONIA

## Easy hoop material welding for every operators



# Portable Selwelder

### SFW-88 Series

## Hoop material (coil material) welding equipment

Simple  
operation

Compact  
size

Customizable



### Features

- Lightweight and compact, easy to move
- It's possible for welding 0.1-1.0mm material thickness, and easy to move for several production lines by one machine.
- Customize design to suit its use
- Simple operation by touch panel
- Available to save almost 10m steel strip material
- Available to shorten 15min stopping time of press due to material exchanging.

### Specifications

Welding work maximum width (mm)	100	200
Welding work thickness (mm)	0.1~1.0	
Welding work material	Stainless steel, Low carbon steel, Aluminum copper, Copper alloy, Others	
Rolling mechanism for beat	No	Yes
Touch traveling speed (m/min)	0.5~3.0	
Power supply	Three-phase 200V 50/60Hz 15kVA	
Weight (kg)	280(100W)	320(200W)
Compressed air source	More than 0.39 'MPA (4Kgf/cm <sup>2</sup> )	
Shield gas	Argon, Helium (Determined with the welding material)	
Welding power supply	4~300A	

### A picture for after welding

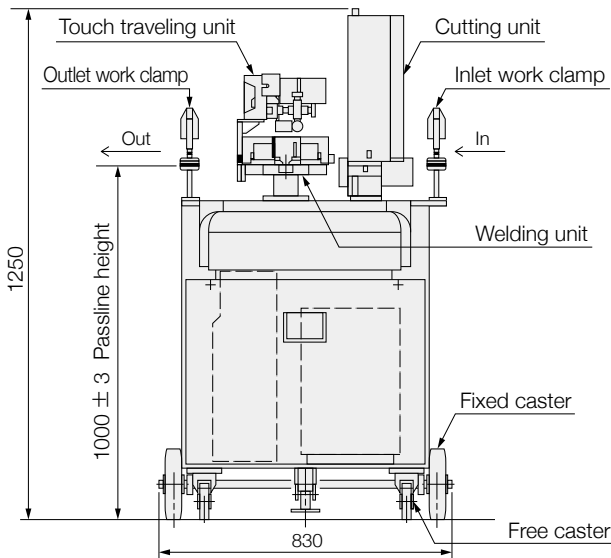
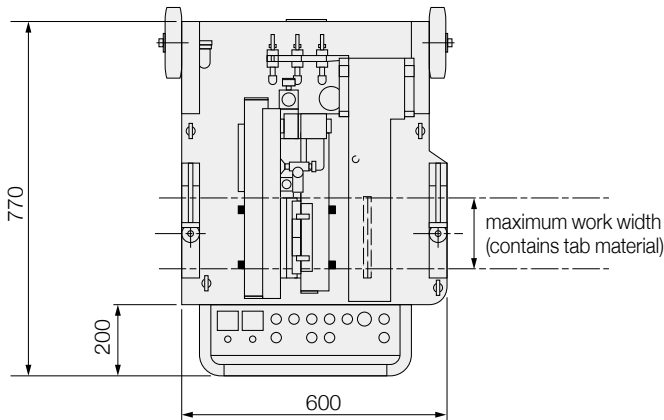
Material : Copper alloy



**SINFONIA GROUP**  
**SINFONIA ENGINEERING CO., LTD.**

## Outer dimensions

Unit:mm

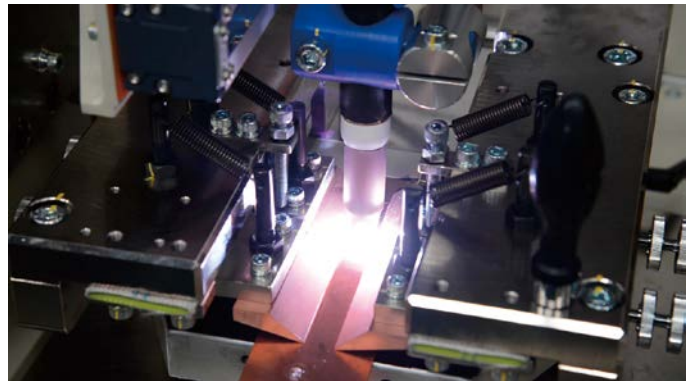


## Options

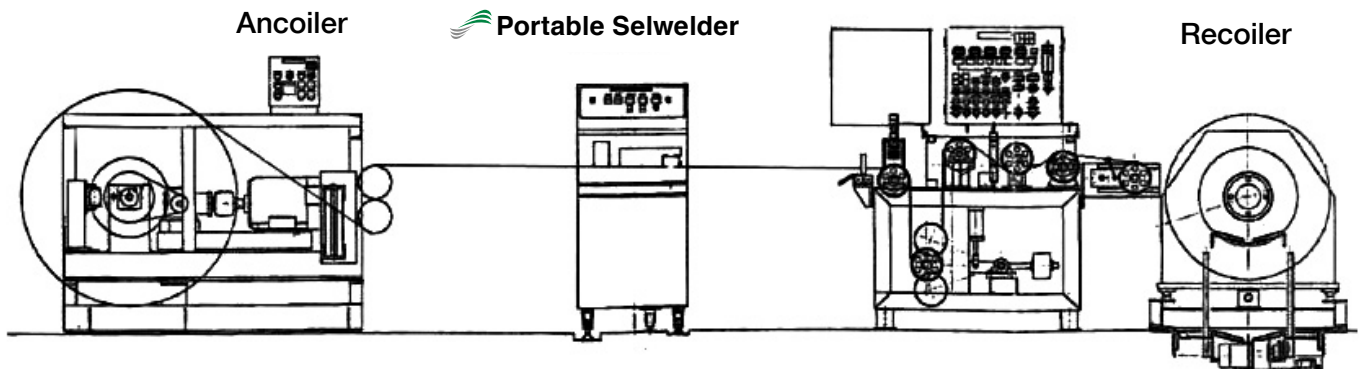
- Work light
- Fall melted prevention system
- Arc melted measurement function with a dial gauge
- Weld length setting function
- Stand for gas cylinder (1.5m<sup>3</sup>)
- Electrode grinding machine
- High frequency pulse arc welding system that our production SW-150, that also can be installed

## The standard attachment article

- Collet for the torch
- Gas lens for the torch
- Shield cup for the torch
- Electrode



## Introduction example



## SINFONIA GROUP SINFONIA ENGINEERING CO., LTD.

Head office —99-96 Takegahana-cho, Ise city, Mie, 516-8553 Japan  
Tel.+81-596-36-4479 —Fax.+81-596-36-6703

Tokyo Headquarter —Odakyu-Dai-ichi-Life Bldg. 12F, Nishi-Shinjuku,  
Shinjuku-ku, Tokyo, 163-0712 Japan  
Tel.+81-3-6911-2074 —Fax.+81-3-6911-2069

### Overseas contact address

Singapore —Tel.+65-6223-6122 — Fax.+65-6225-2729  
China —Tel.+86-21-6236-9566 — Fax.+86-21-6236-9577

Taiwan —Tel.+886-3-577-7979 — Fax.+886-3-577-1299

CODE

**SEGE01-211**

1901A1P